

EXHIBIT "A"
TEMPORARY RESTORATION

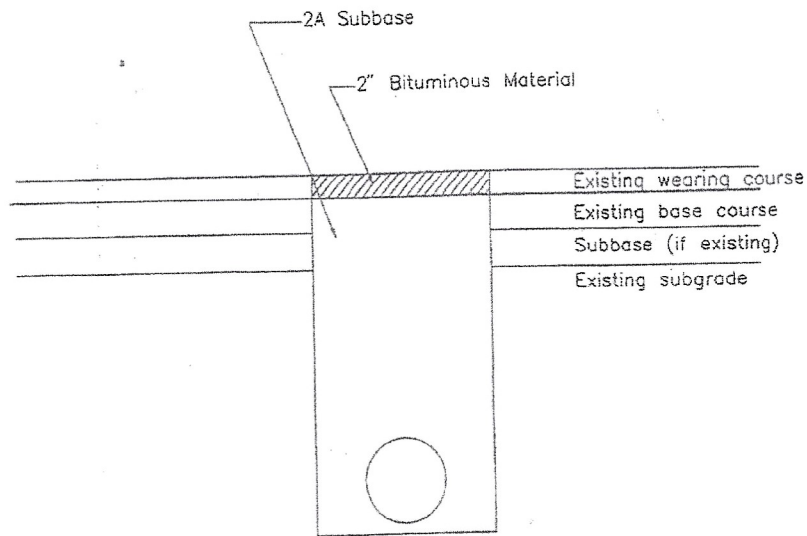


EXHIBIT "B"
RIGID PAVEMENT RESTORATION
(BITUMINOUS OVERLAY OR PLAIN CEMENT BASE COURSE)

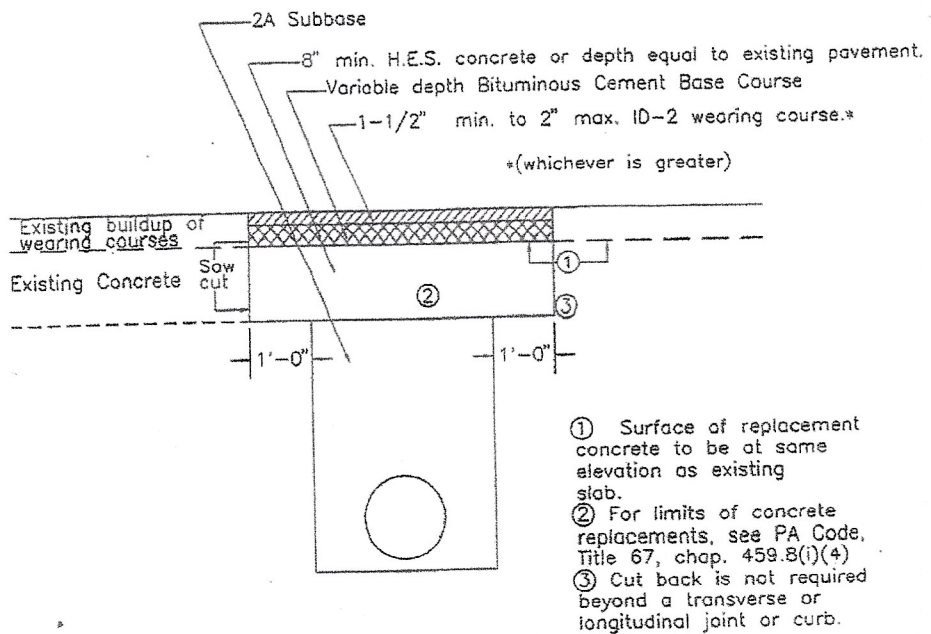


EXHIBIT "C"
RIGID PAVEMENT RESTORATION

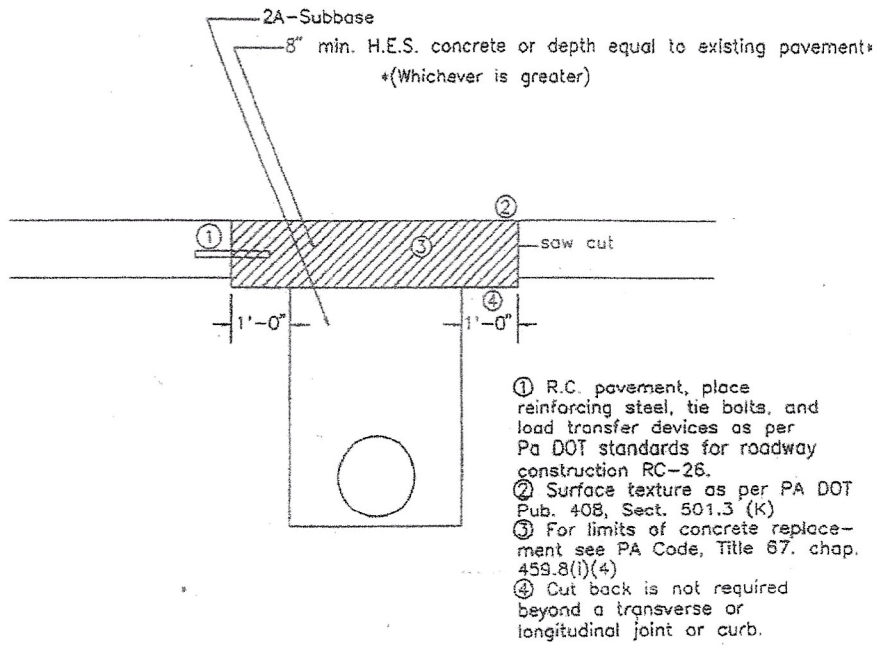


EXHIBIT "D"
FLEXIBLE PAVEMENT RESTORATION

